

INSTALLATION INSTRUCTIONS

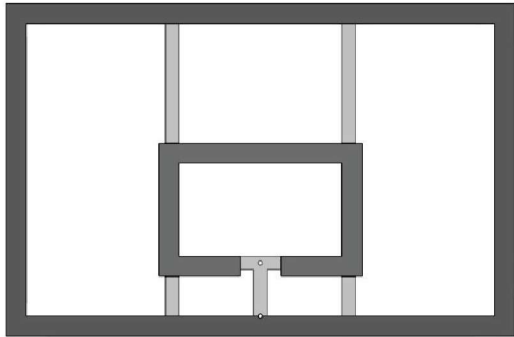
MCS018H



HIT SPORT



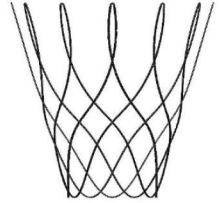
ACCESSORIES LIST



1



2



3

ACCESSORIES LIST



4



6



7



5



8



M8*30

9



Y



X



W



M6*50

10



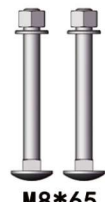
M6*45

11



M6*16

12

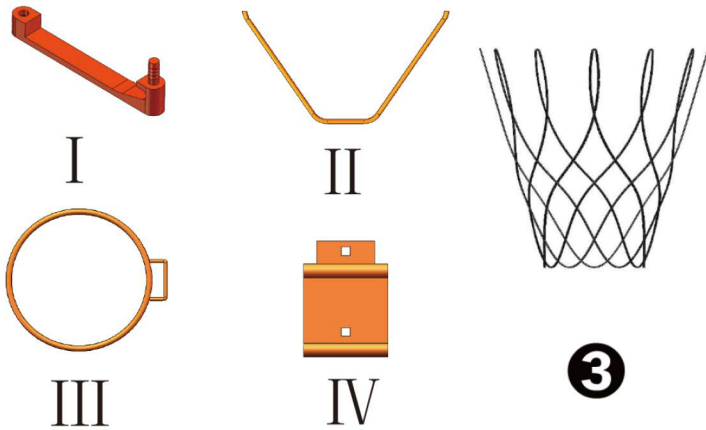


M8*65

13

INSTALLATION STEPS

Needed Parts



① I. Passing through nets and hoops (III.)

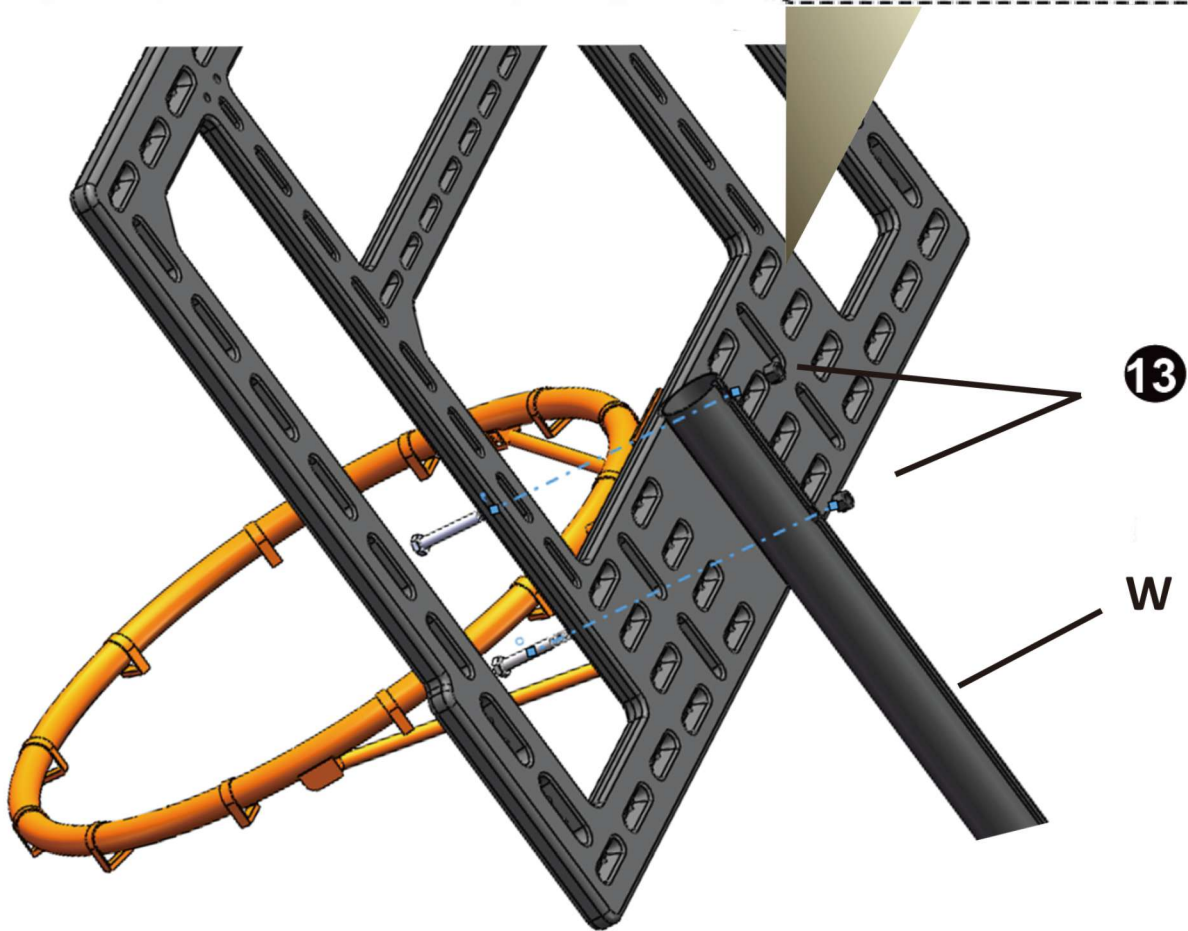
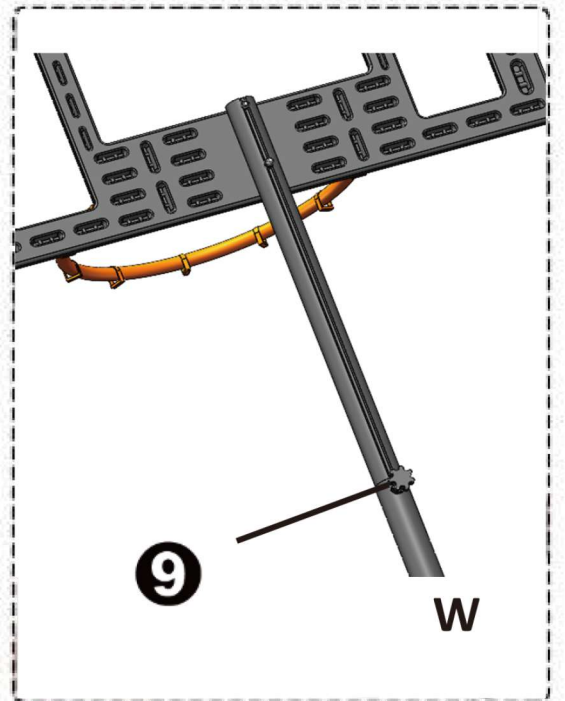
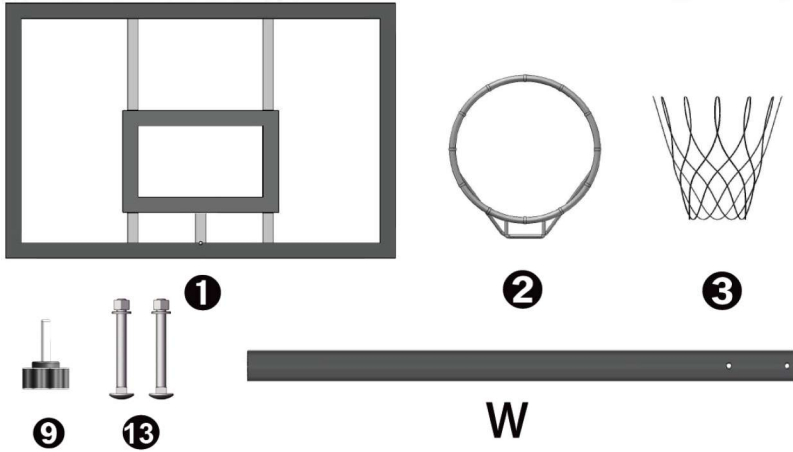


② II. Snap into the groove of the hoop (III.), as shown in the figure



INSTALLATION STEPS

Needed Parts



INSTALLATION STEPS

Needed Parts



4



6

7



8

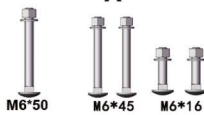
9

Y

X



5



M6*50

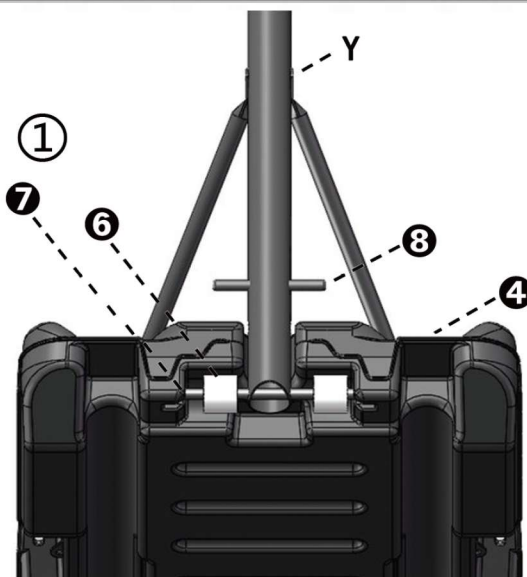
M6*45

M6*16

10

11

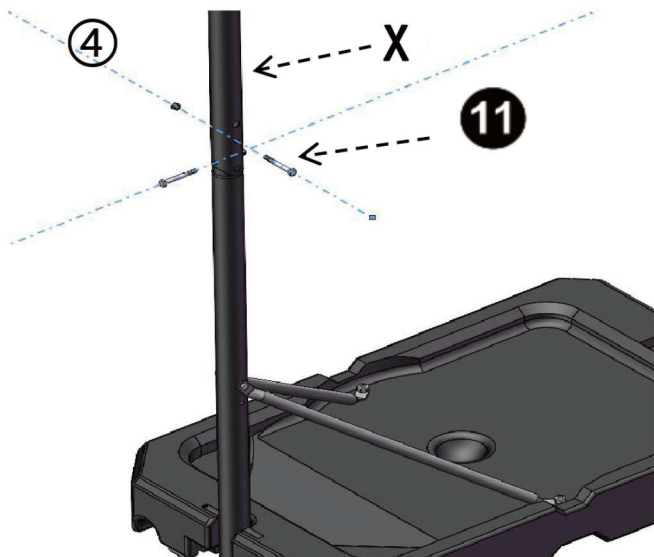
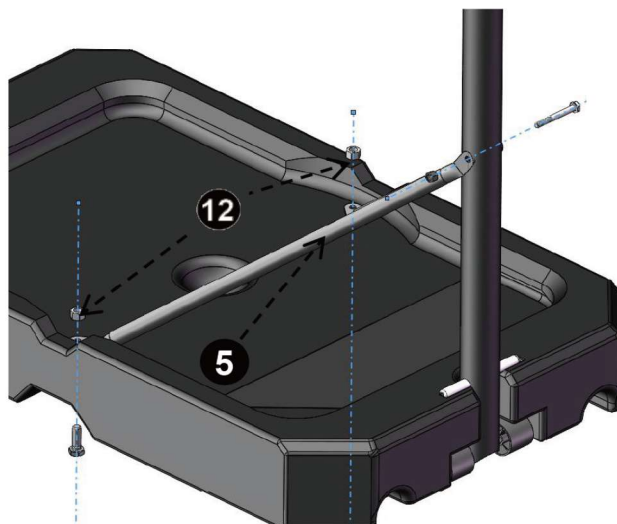
12



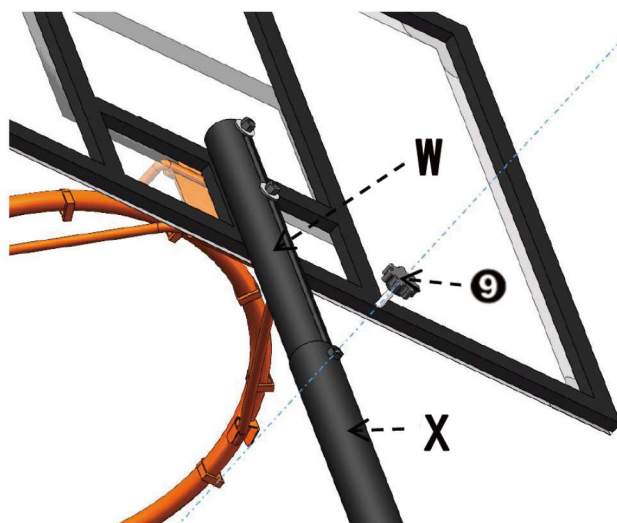
2



3



5



BASKETBALL HOOP DISPLAY

FINAL INSTRUCTIONS



- Please use the pole that comes with the product
- **Note:** The adjustable height of the basketball hoop is 1.08-2.10m
- Before use, fill the base with water or sand