



FREE STANDING HALF PUNCH BAG | NUMBERS

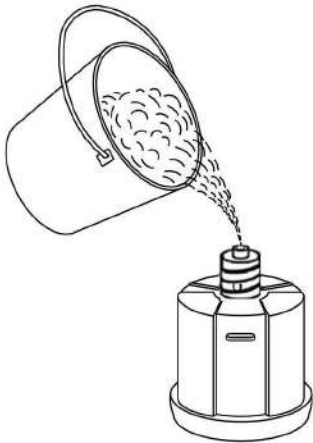
Assembly Instructions

HIT BOXING

Item No.: HIT00924

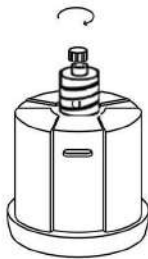
STEP-1

Remove the fill cap to fill the base; Then fill the base with water or sand.



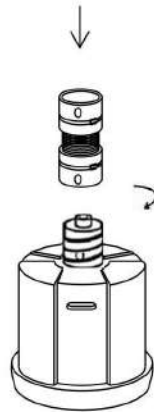
STEP-2

Replace and tighten the fill cap.



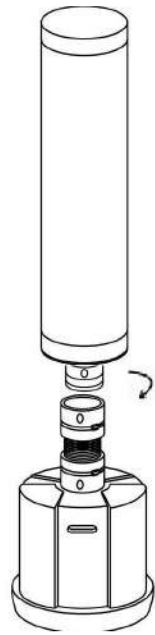
STEP-3

Match two holes between the middle rubber and base.



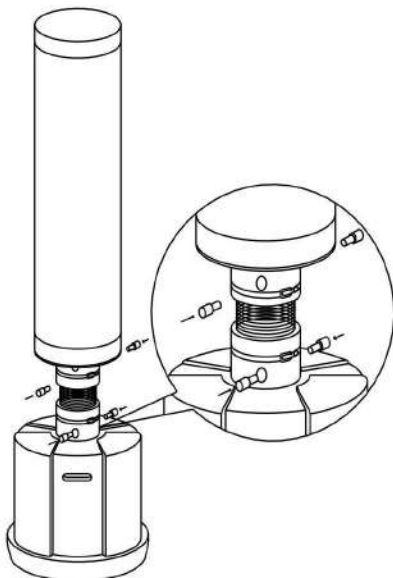
STEP-4

Rotate and slip the bag onto the base



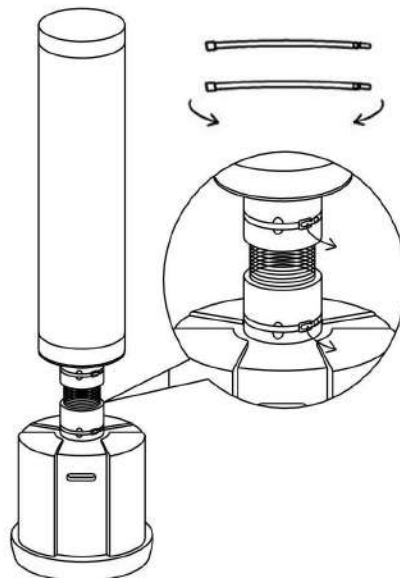
STEP-5

Put four rubber plugs into both sides



STEP-6

Cover four holes with the steel stripe then buttoned up.



STEP-7

Finished

