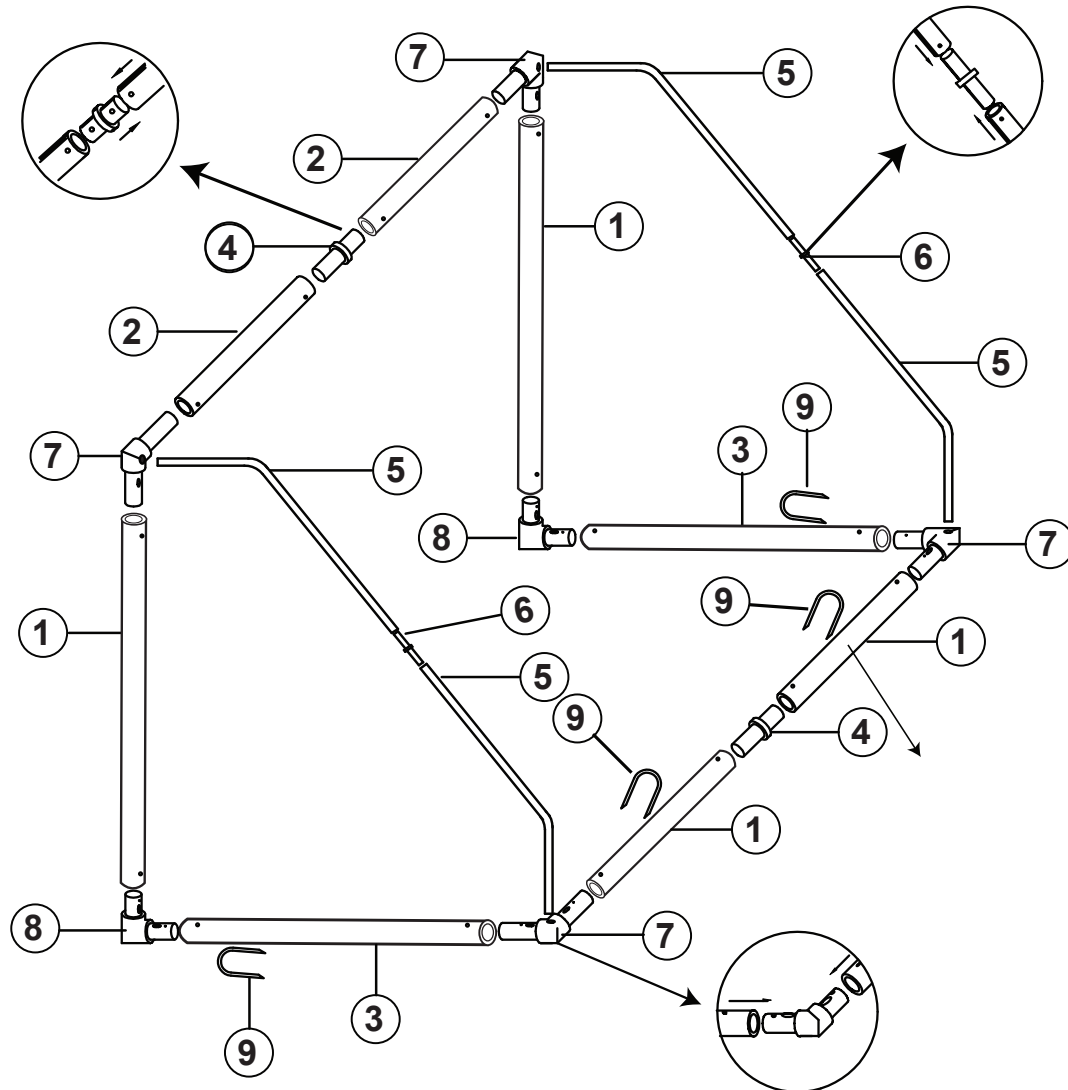


SPORTS 6' X 4' MATCH GOAL

6' x 4' (183cm 122cm) With Plastic Corners Locking

COMPONENT CHECKLIST ASSEMBLY INSTRUCTIONS & SAFETY PROCEDURES



IMPORTANT SAFETY INSTRUCTIONS

1. Always inspect the goal post and net for defects before use and replace damaged parts in accordance with . BS 8461:2005 code of practice.
2. Do not use goal with faulty parts.
3. The goal must always be secured to the ground. Weights to be used on hard surfaces, ground anchors on . grass.
4. Never climb on the net or the goal frame.
5. The goal must never be used without the net fitted.
Please adhere to the safety instructions at all times.

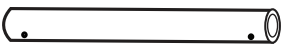

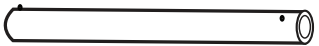

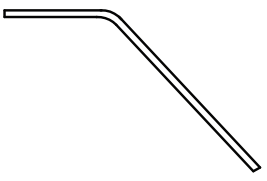





ASSEMBLY INSTRUCTIONS

1. Assemble the base first, select item 3a's with the ground anchor positions marked on for the base.
2. Assemble the cross bar and uprights.
3. Fit the cross bar and upright assembly to the base.
4. Assemble the tension bars items 7 & 9 together.
5. Fit the tension bar assemblies to the goal. It is important that the tension bar is fitted into the top of the goal first, then fit into the large hole at the back of the base.
6. Fit the net by wrapping the net round the post and clipping on the inside. Coloured cord denotes top of the net.
7. Ensure the posts are upright and the cross bar is level before securing to the ground with the anchors in the 4 positions . indicated, anchors to be inserted at 45 degree angle.

INFORMATION

1. When the goal is not being used, dismantle and store in a secure area.
2. Not suitable for children under 3 years old due to small parts i.e. quick clips and length of cord.
3. It is recommended that the goal is assembled by an adult.

6' x 4' Match Goal Plastic Corners Locking - Parts List

	1	2	68mm x 43" 1 pole Right and Left
	2	4	68mm x 33.5"
	3	2	68mm x 32" 1 pole Left 1 pole Right
	4	2	Connector With Clip Big
	5	4	38mm x 32" white tube with bend TU420
	6	2	Insert with clip lock small back side
	7	4	Corner with clip with tension bar hole
	8	2	Corner with clip
	9	4	Ground anchor
 Quick Clip	10	1 Bag	Quick Clip (30 clips)
Net	11	1	6' X 4' Net With Roof

