



HIT SPORT

**MCS024**

**PORTABLE BASKETBALL HOOP  
MANUAL**



Please identify parts and read this manual carefully before installation.  
We're looking forward to hearing from you on any warranty queries or suggestions!

# SAFETY INSTRUCTIONS

FAILURE TO FOLLOW THESE SAFETY INSTRUCTIONS MAY RESULT IN SERIOUS INJURY OR PROPERTY DAMAGE AND WILL VOID WARRANTY.

**Do not stand the basketball hoop upright until the base is filled with water or sand, as system may tip over causing injuries.**

**Do not use system during windy and/or severe weather conditions the basketball hoop is easy to tip over, please move the system indoors.**

**Must tip the system forward and rest the rim on a surface before adjusting the height.**

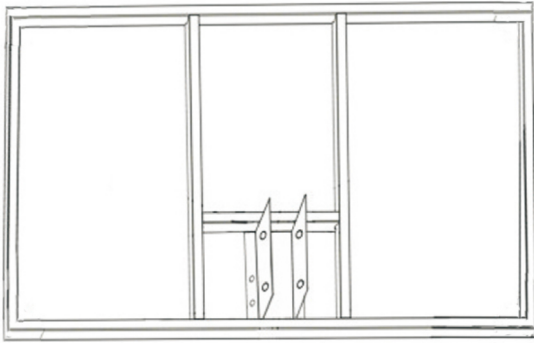
- Owner must ensure that all players know and follow these rules for safe operation of the system.
- Check entire box and inside all packing material for parts and additional instruction material.
- Before beginning assembly, read the instructions and identify parts according to this manual.
- Proper and complete assembly, use, and supervision are essential for proper operation and to reduce the risk of accident or injury.
- A high probability of serious injury exists if this system is not installed, maintained, and operated properly.

- Two capable adults are recommended for this operation.
- Check base regularly for leakage. Slow leaks could cause system to tip over unexpectedly.
- Seat the pole sections properly(if applicable). Failure to do so could allow the pole sections to separate during play and transport of the system.
- Climate, corrosion, or misuse could result in system failure.
- This equipment is intended for home recreational use only and not excessive competitive play.
- The life of your basketball pole depends on many conditions. The climate, placement of the pole, Location of the pole, exposure to corrosives such as pesticides, herbicides, or salts are all important.
- If technical assistance is required, contact Customer Service.

Most injuries are caused by misuse and not following instructions. Use caution when using this system.

# GET TO KNOW THE BASIC PARTS

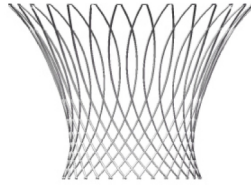
## BACKBOARD



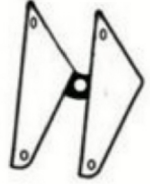
1



2

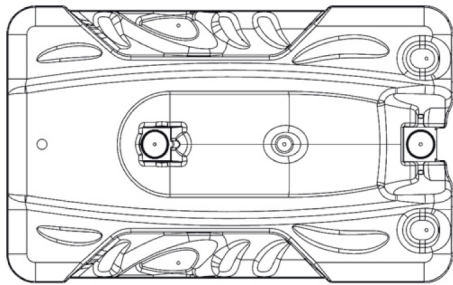


3



4

## BASE



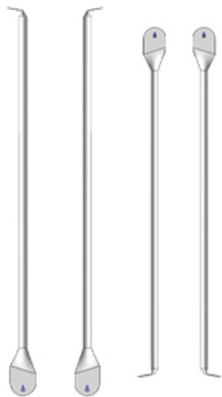
5



7



10



6-1 | 6-2 | 6-3 | 6-4



8



9

# GET TO KNOW THE BASIC PARTS

## SUPPORT POLE



W



X



Y

## SPARE PARTS



M12X180



M12X180



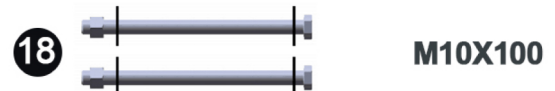
M12X180



M12X180



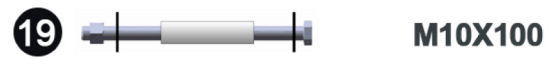
M12X180



M10X100



M10X120



M10X100



M8X90



M8X45



M8X100



M8X20



M8X30

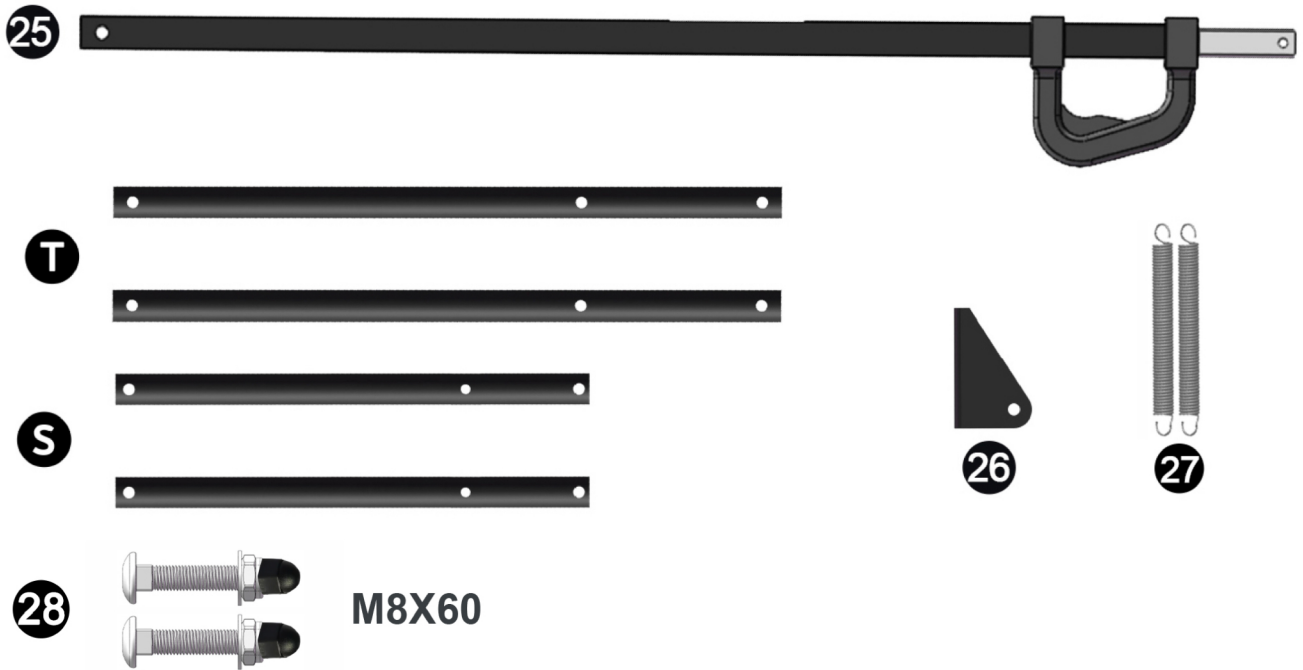


M8X25



# GET TO KNOW THE BASIC PARTS

## TOP SUPPORT POLE



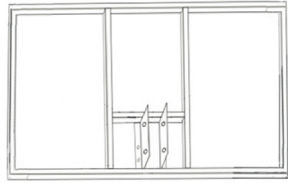
## TOOLS NEEDED



# INSTALLATION STEPS

## BACKBOARD

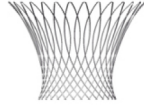
### Needed Parts



1



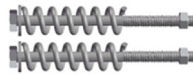
2



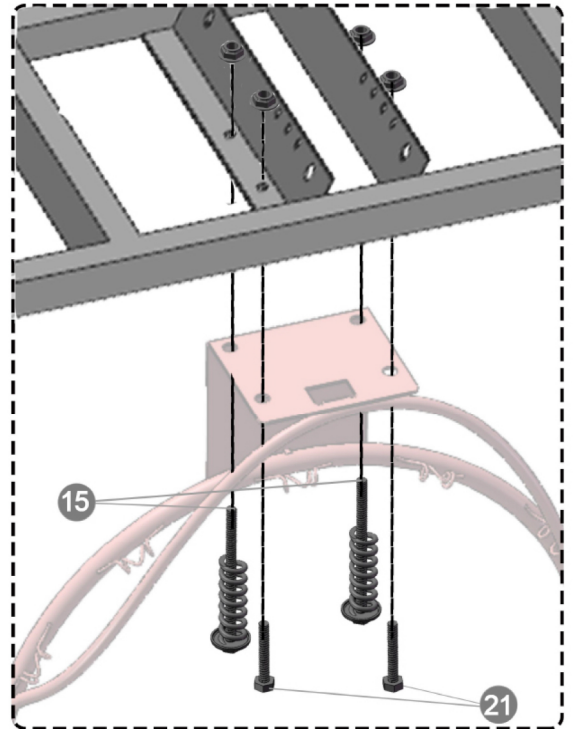
3



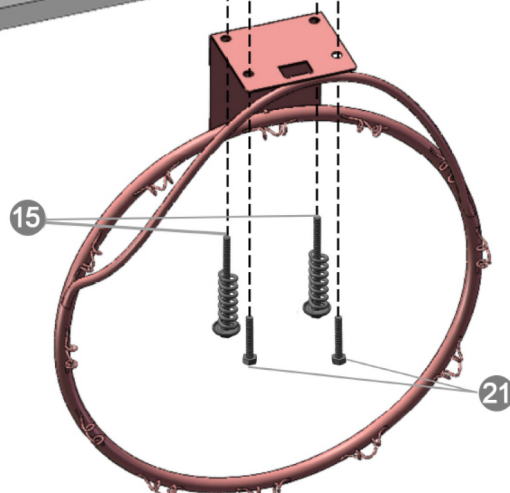
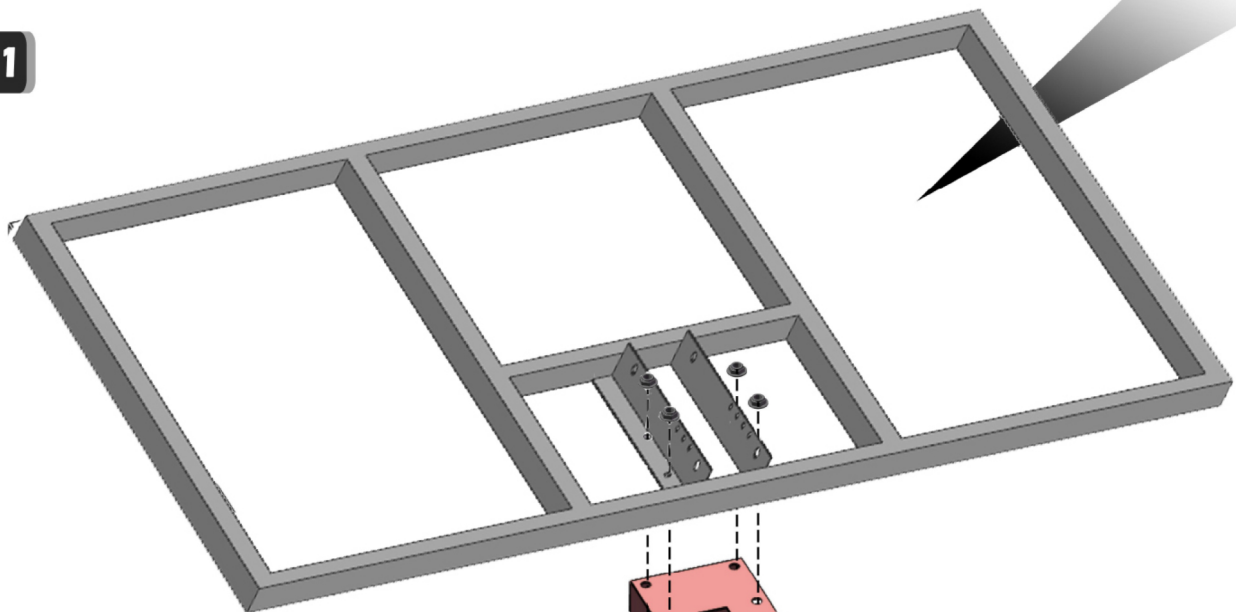
21



15

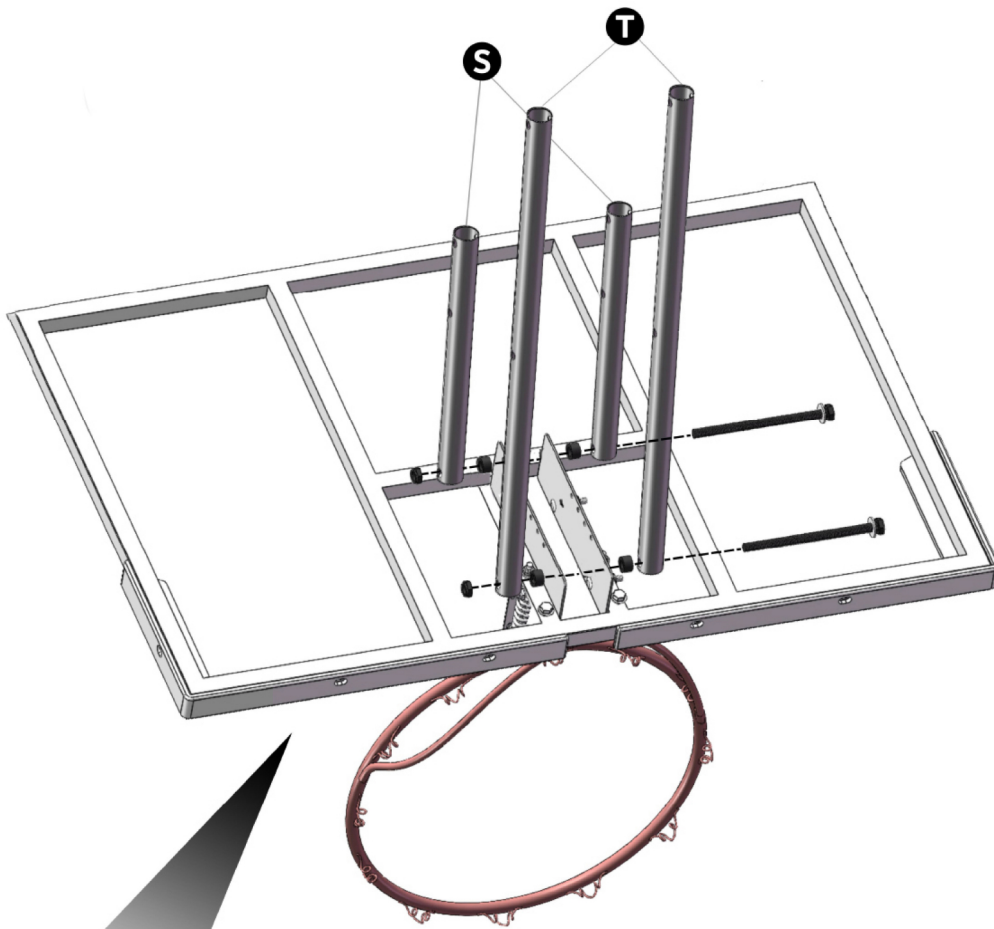


1.1

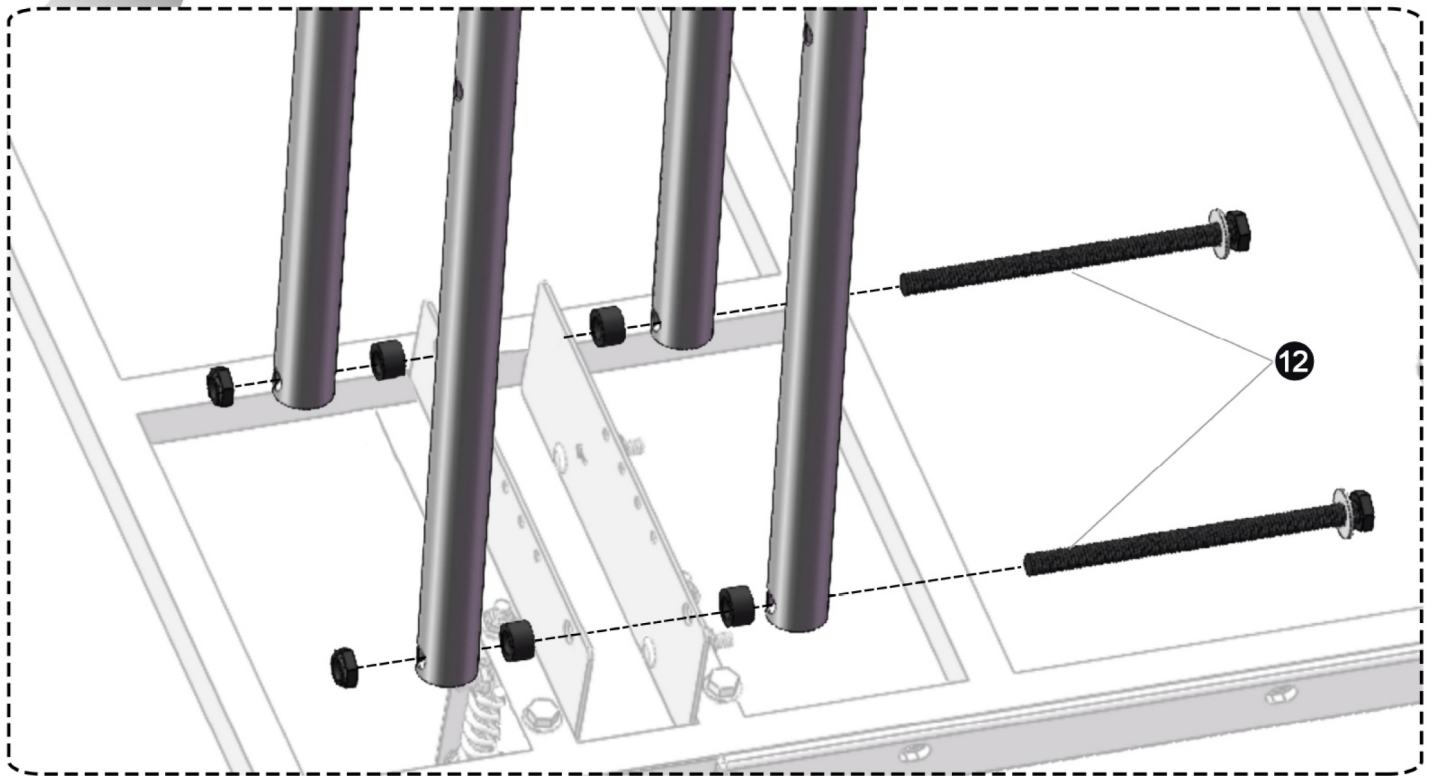
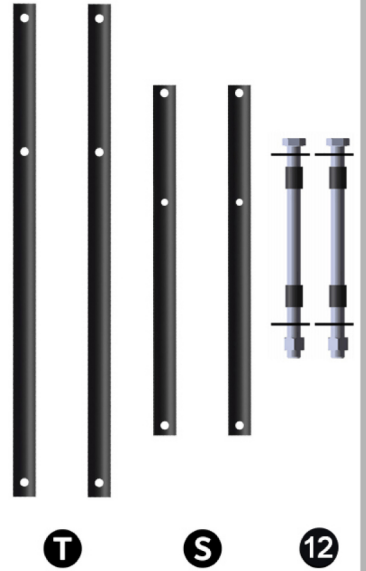


# INSTALLATION STEPS

## BACKBOARD



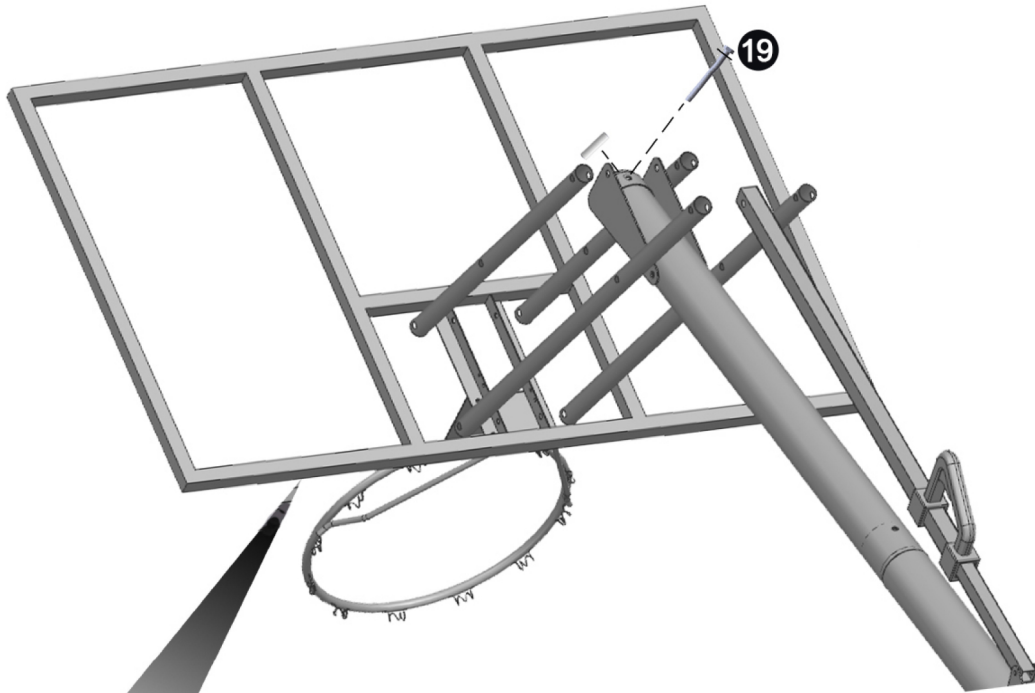
### Needed Parts



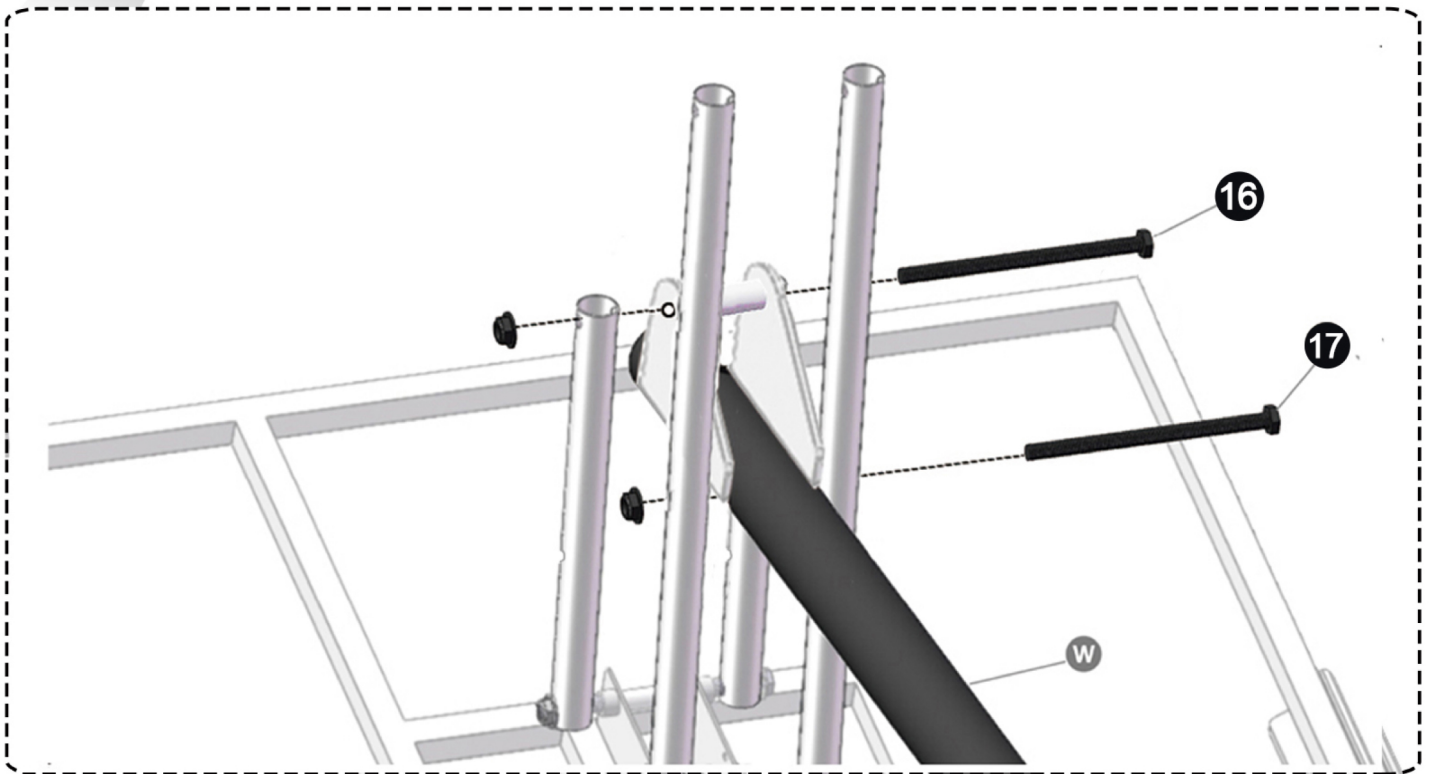
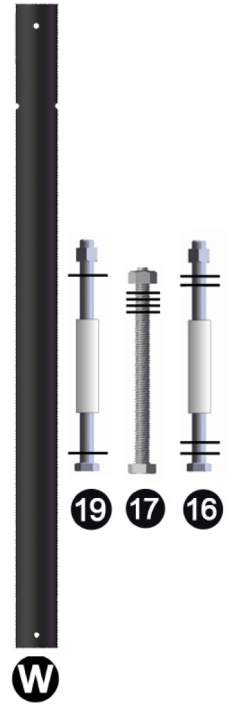
# INSTALLATION STEPS

## BACKBOARD

2.2



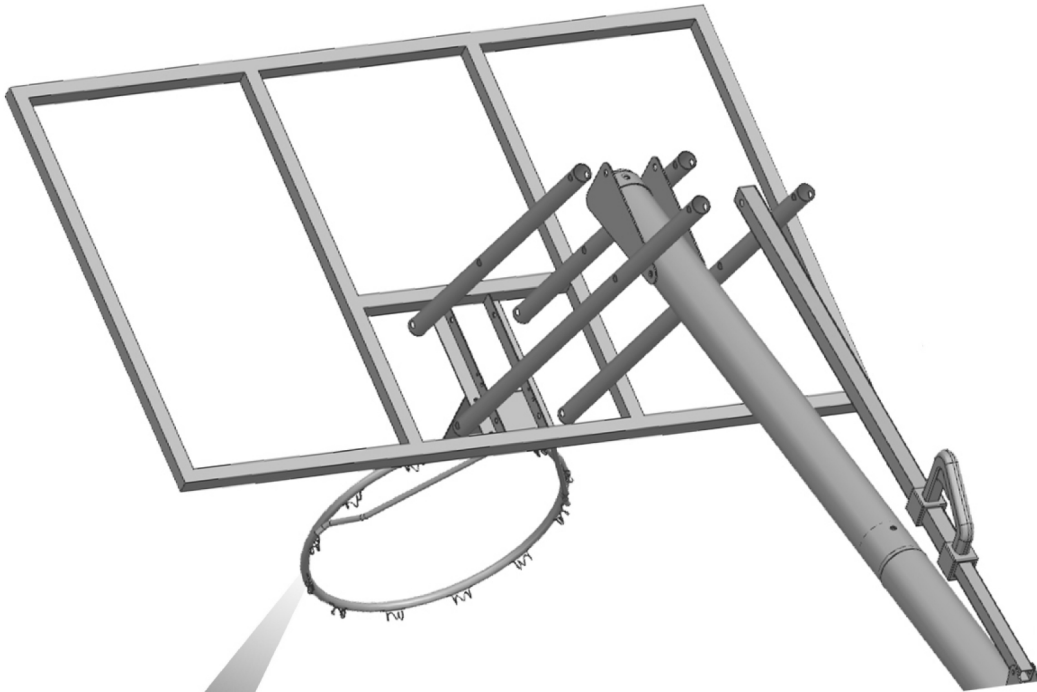
### Needed Parts



# INSTALLATION STEPS

## BACKBOARD

2.3



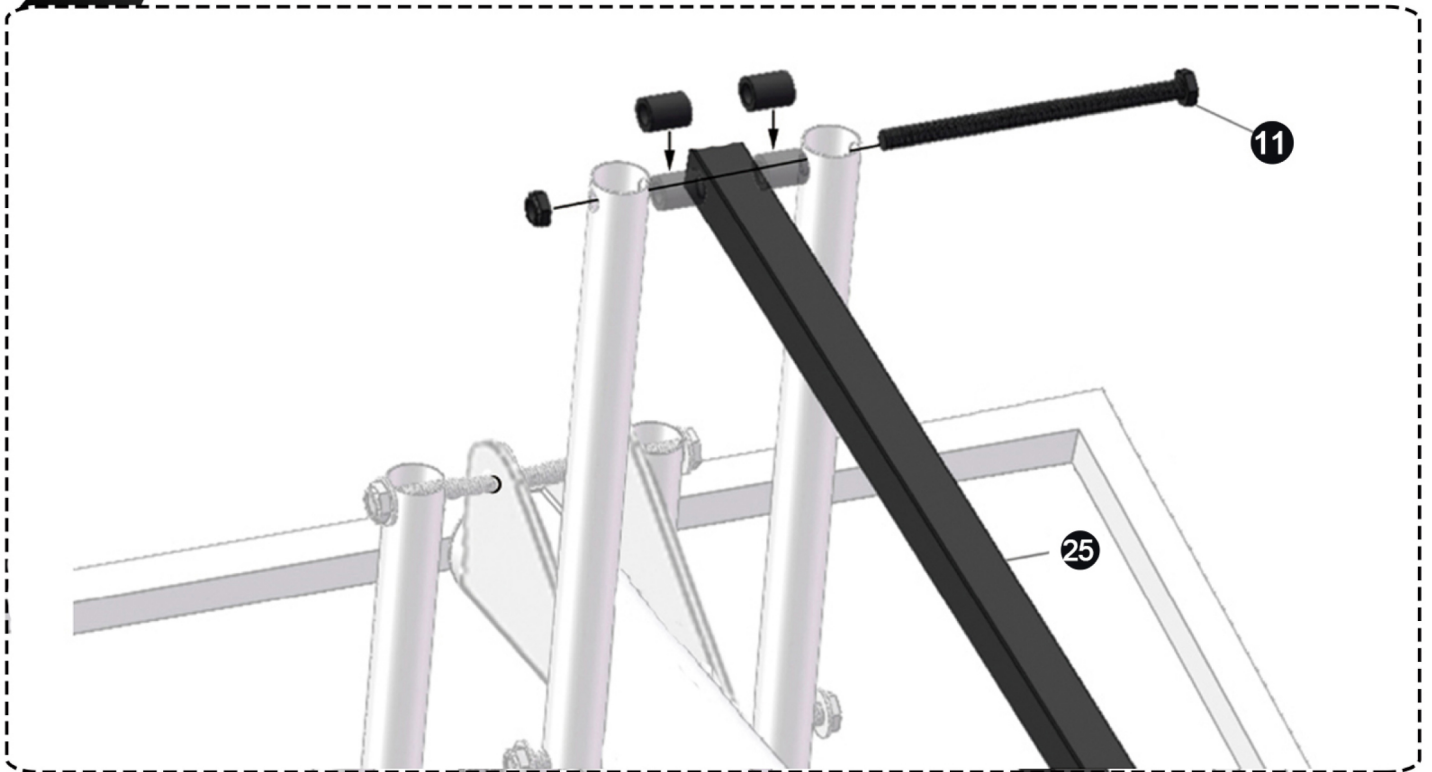
### Needed Parts



11



25





# INSTALLATION STEPS

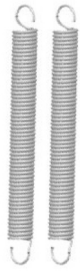
## BACKBOARD

2.4

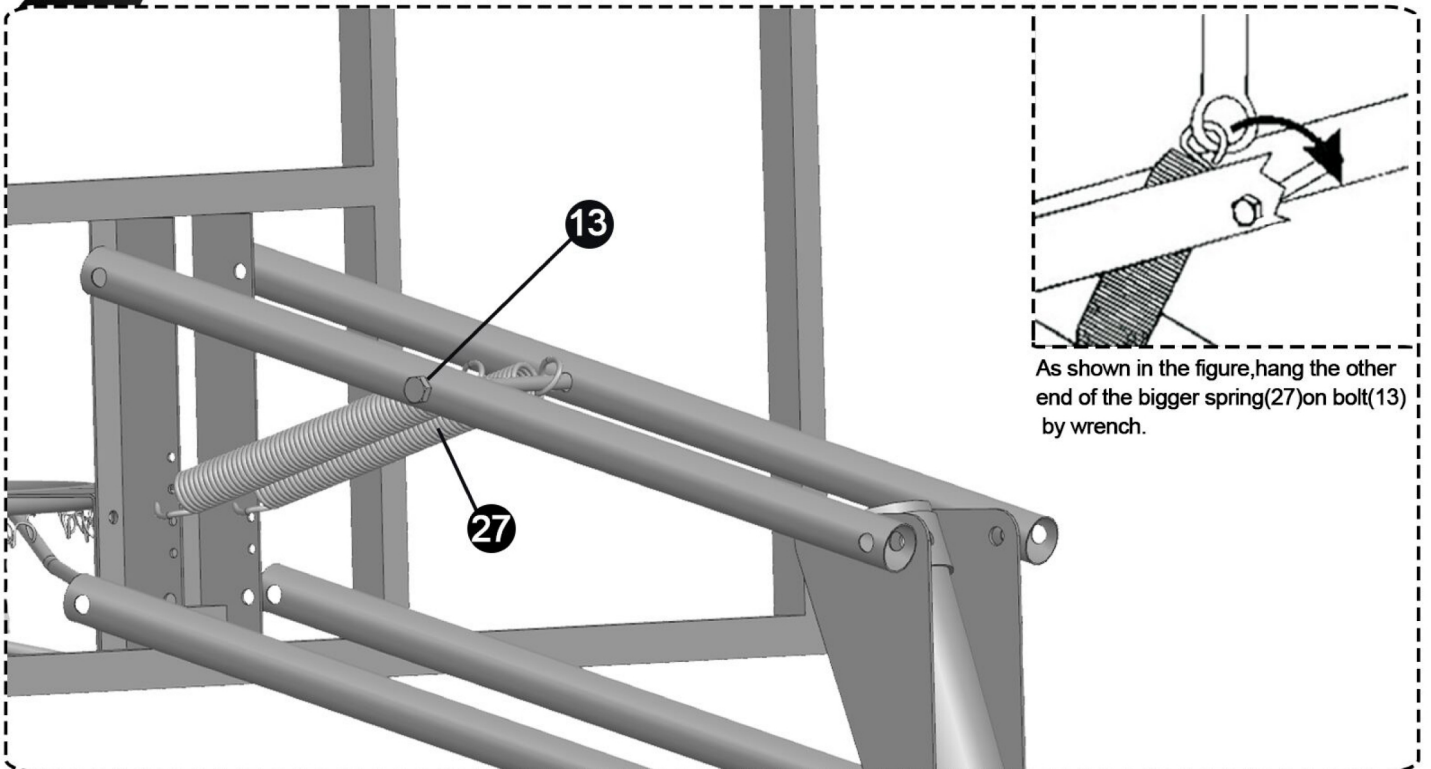
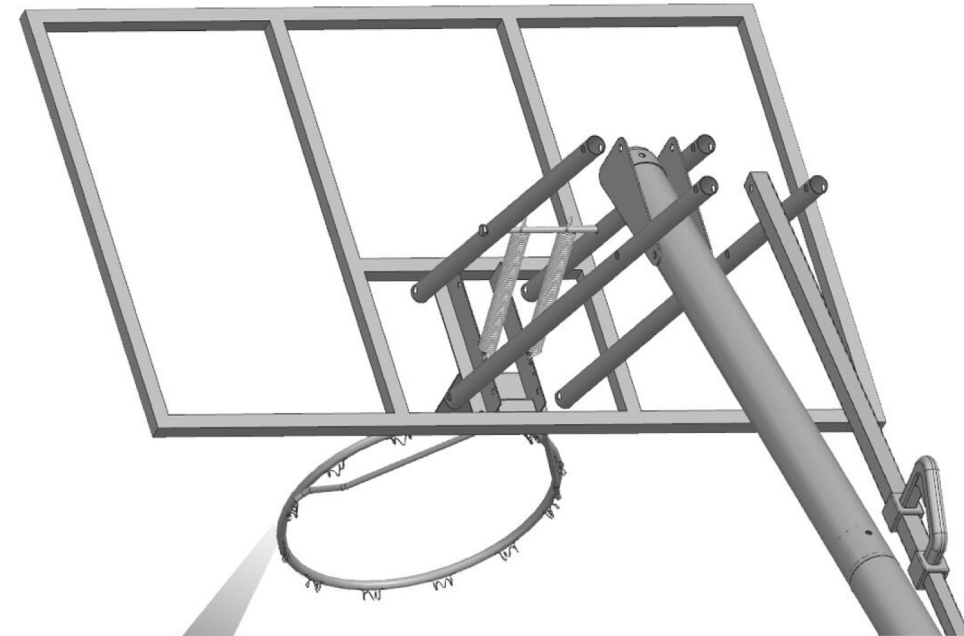
### Needed Parts



13



27

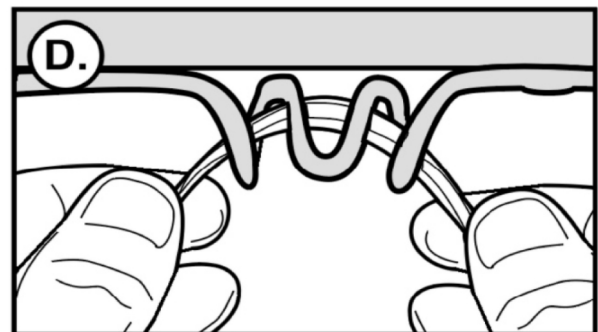
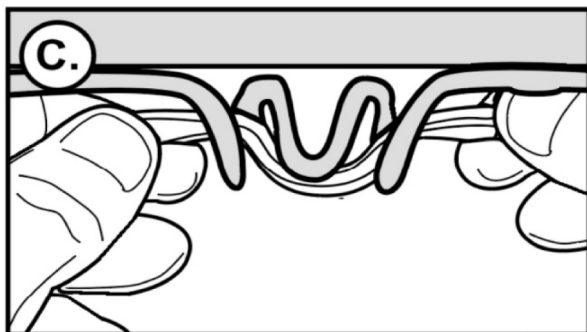
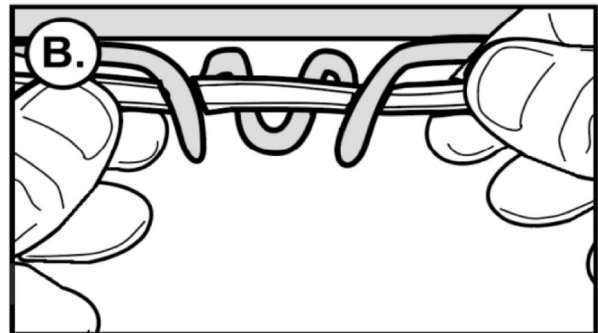
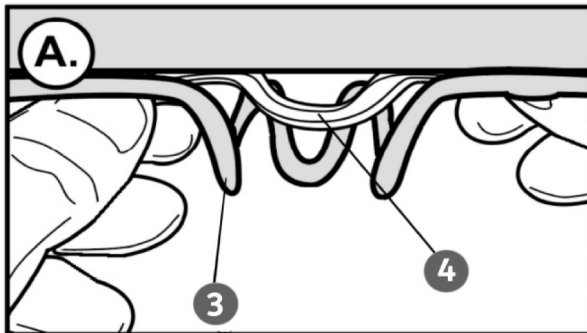
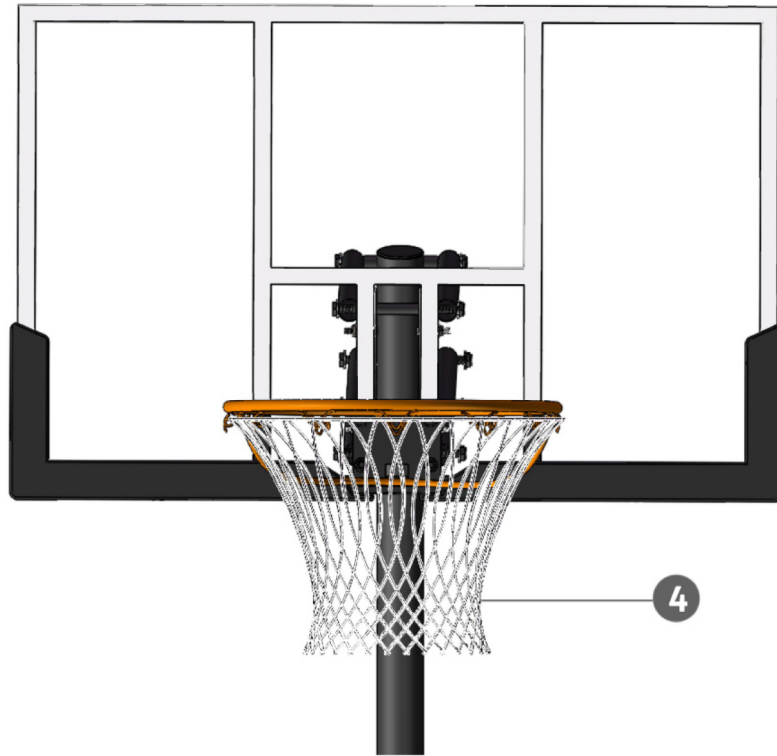


As shown in the figure, hang the other end of the bigger spring(27) on bolt(13) by wrench.

# INSTALLATION STEPS

## BACKBOARD

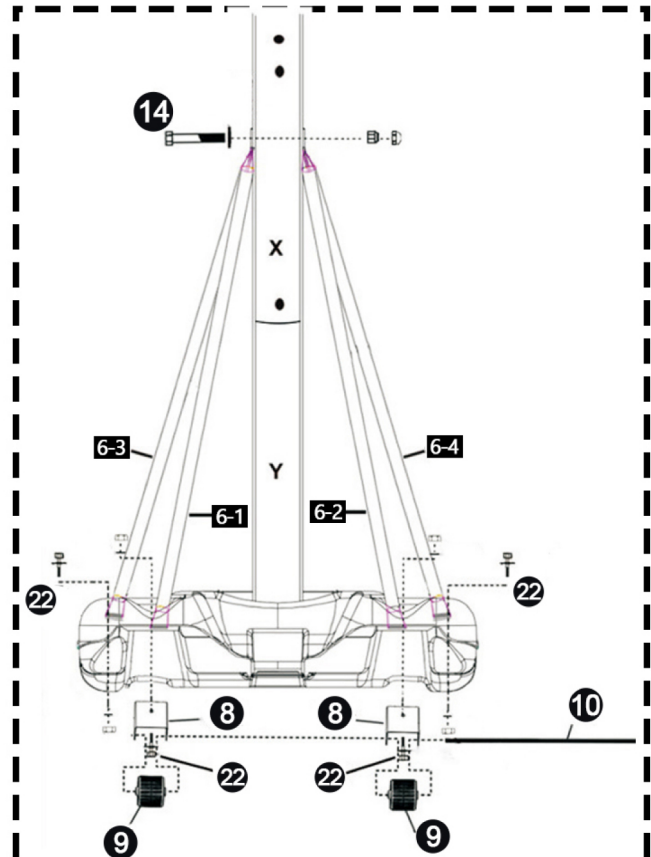
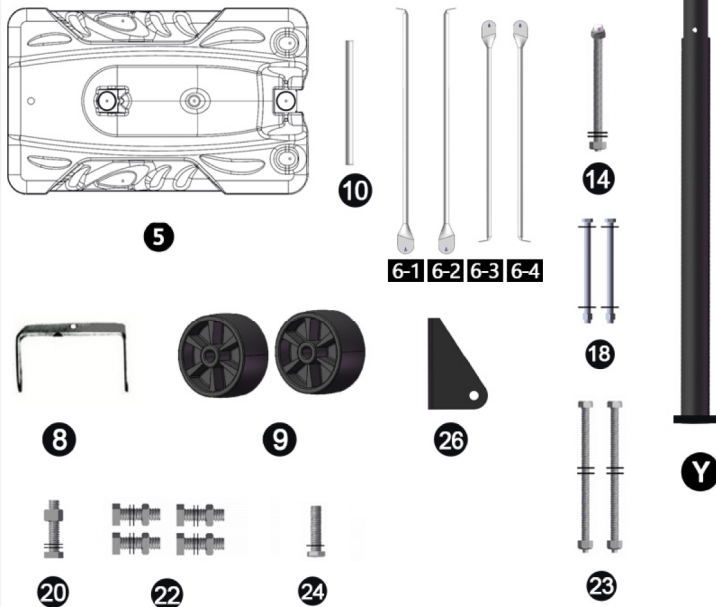
2.4



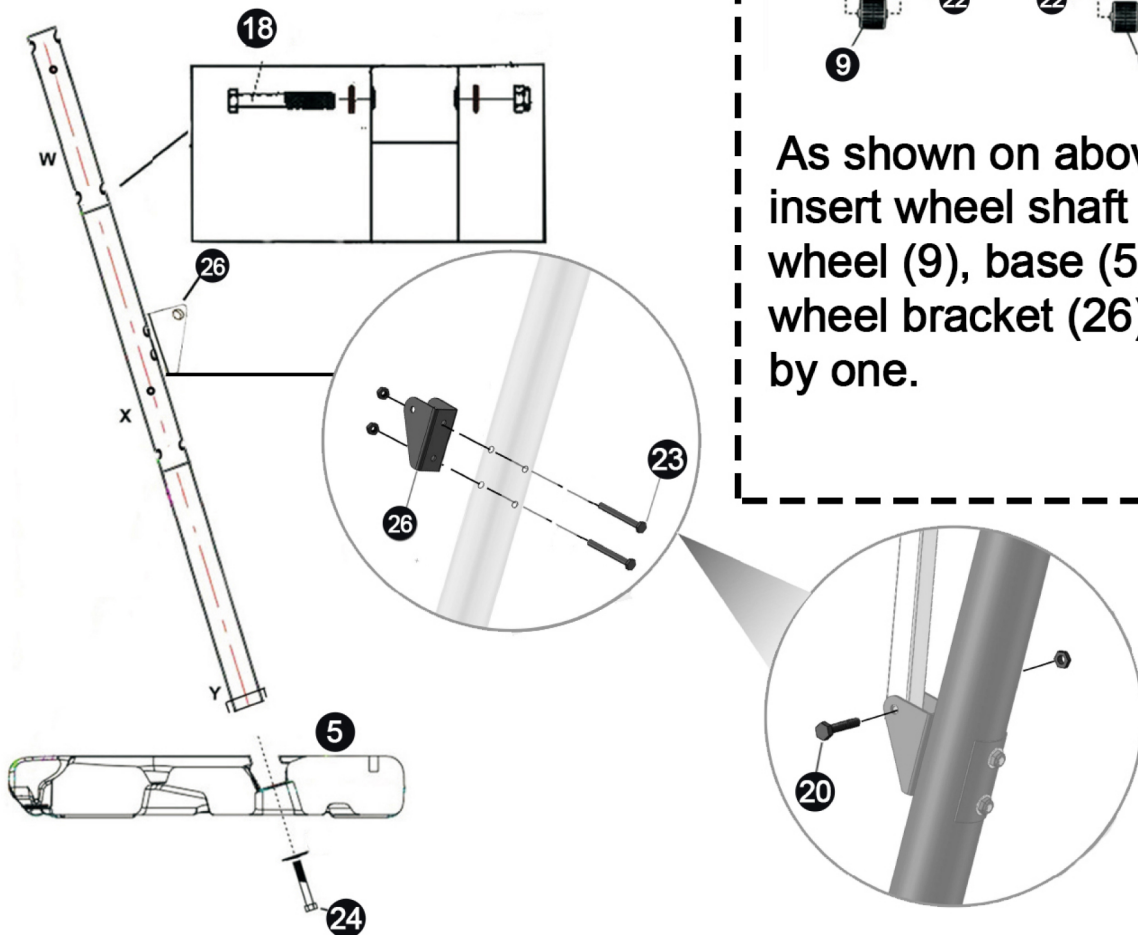
# INSTALLATION STEPS

## BASE

### Needed Parts



As shown on above picture, insert wheel shaft (10) into wheel (9), base (5) and wheel bracket (26) one by one.

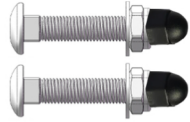


# INSTALLATION STEPS

## BASE



7



28

Use screws to place DD on U3, U4 as shown

